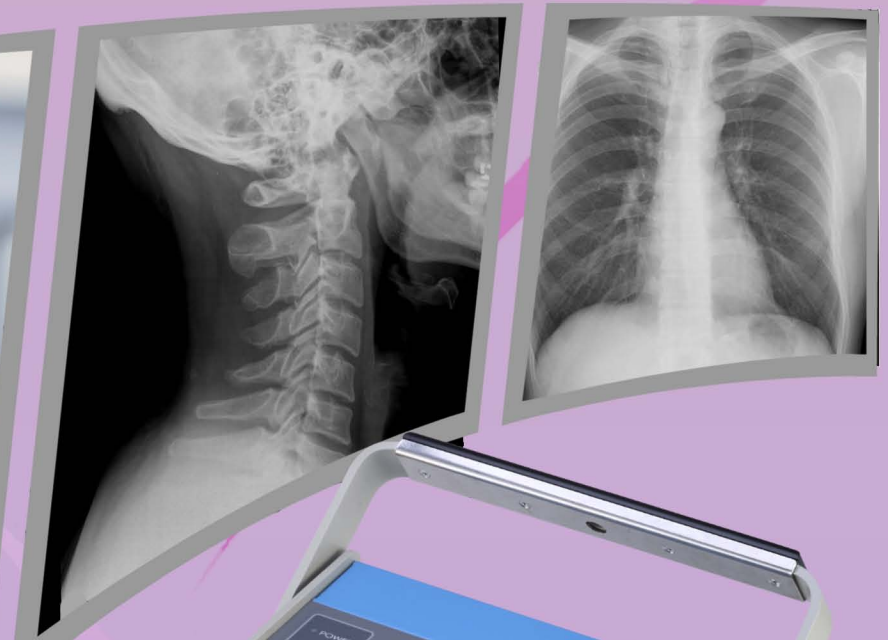




H.F. Portable X Ray for Medical





J-Stand - For indoor use

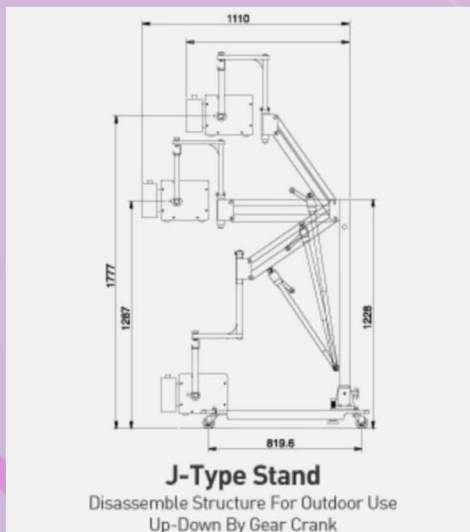
Features:

- High frequency inverter type generator (60kHz)
- Digital displays of kV, mAs and time
- Overload protection for kV, mA, Time and Temp
- Self-manageable APR function with memory keys
- Soft touch user panel
- Accepts a wide range of power inputs through an electronic voltage compensator

Advantages:

- Powerful output covering most radiographic technique
- Superb images from a high quality, small focal spot X-ray tube
- Excellent reproducibility not affected by line voltage fluctuation
- Reduced exposure to x-ray radiation
- Prolonged lifetime of X-ray tube
- Plugs into ordinary power outlets

Specifications:



Items	240H
Max. Output	2.4kW
Input Line Voltage	110V, 1 Phase, 50/60Hz
Rating	40 120 kV 40mA max (120mAs max)
Exposure Time	0.02 4.0sec
Focal Spot	1.2mm
Memory Keys	27
B.L.D	50W (110W Option) Full field light beam type collimators with 30sec. timer
Size (WxDxH)	238x340x194(mm) Exclude Hand Grip
Weight	16.5Kgs

JPI Healthcare Solutions Inc.
 52 Newtown Plaza Plainview NY 11803
 Toll Free: 888-574-2001
 Tel: 516-513-1330
 Fax: 516-513-1331
 www.jphealthcare.com

Authorized Dealer