

ExamVue 14" x 17" Portable



14"x 17"Cassette-size Portable Detector

Friendly User Experience

- 14"x17" Tethered cassette-size, easily fits into standard bucky tray cabinets for old system upgrade; while ExamVue 14" x 17" Portable is also a good choice for general radiography imaging systems.
- Light weight and slim design, built-in foldable handle, rubber insulated frame and high strength aluminum-alloy case ensure safe and convenient moves; and also improves image quality under vibrating environment.
- No connection to generator is necessary due to Full-Field Automatic Exposure Detection AED Technology

Superior Image Quality

- New generation of technology defines characteristics of ExamVue 14" x 17" Portable detector--high DQE, high spatial resolution, extraordinary dynamic range and ultra-low noise.

ExamVue Design Philosophy

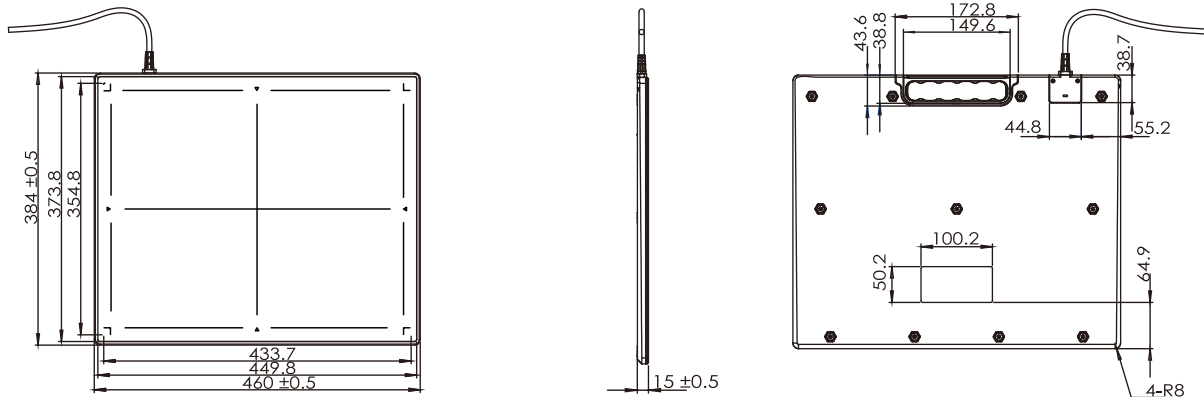
- The most advanced Csl direct-deposition technology ensures excellence of image quality at low X-ray dose and improves operational safety

ExamVue 14" x 17" Portable CareVue Panel Specifications

Sensor	
Scintillator	Direct Deposit CsI: TI
Active Area	433.7 x 354.8 mm
Pixel Array	2816 x 2304
Pixel Pitch	154 µm
Image Quality	
Limiting Resolution	3.3 lp/mm
MTF	~ 65%(@ 1 lp/mm)
	~ 40%(@ 2 lp/mm)
	~ 22%(@ 3 lp/mm)
DQE	(@RQA5, 27µGy)
	~ 65% (@ 0 lp/mm) ~ 20% (@ 3 lp/mm)
Sensitivity	~ 0.50ct/nGy
Response Non-linearity	< ± 0.5%
Maximum Linear Dose	100 µGy
Dark Noise	~ 8 nGy
Dynamic Range	~ 82 dB
A/D Conversion	16 bits
Communication Interface	
Image Acquisition Time	2-3 s
Exposure Control	AED
	Manual Sync
Communication Interface	Gigabit Ethernet

Environmental		
Operating	-Temperature Range	5 °C - 35 °C
	-Humidity Range (Non-condensing)	10% - 90% RH
Storage	-Temperature Range	-10 °C - 55 °C
	-Humidity Range	10% - 90% RH
Mechanical		
Dimension	460 x 384 x 15 mm	
Weight	3.0 Kg	
Housing Material	Carbon fiber front High Strength aluminium alloy back	
Power		
Maximum Power (standby/operating)	<8 W / 22 W	
Power Supply	100-250 V AC	
Frequency	50/60 Hz	
Regulatory		
FDA	K 153058	
CE	HD 601077350001	
UL	E 464810	
HC	97158	

ExamVue 14" x 17" Portable Dimensions (mm)



Contact us to learn more.
sales@jpihealthcare.com
516.513.1330 ext. 3
Visit us at jpihealthcare.com

