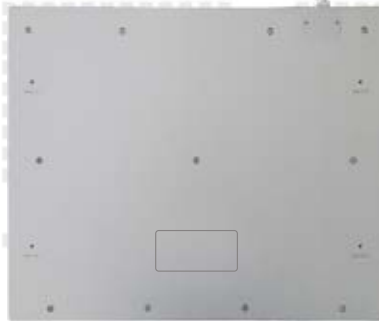


ExamVue

14" x 17" Tethered



14" x 17" Multi-purpose Tethered Radiographic Detector

- The 14"x17" detector is designed to meet a wide-range of requirements for digital radiographic applications, e.g. retrofit of existing radiographic systems (e.g. CCD-DR, CR and film), integration with fixed-mounted systems.
- Our most advanced Csl direct-deposition technology ensures excellent image quality at low X-Ray dose and improves operational safety.
- Multiple modes of synchronization provides universal flexibility for system manufacturers and integrators.
- Unique Full-Field Automatic Exposure Detection (AED) offers a full-imaging-area coverage and low dose sensitivity.
- Low power-consumption, thermal-efficient design, and one-cable connection make ExamVue easy to install and operate.
- The ExamVue 14"x17" Tethered is a perfect combination of robust performance and cost efficiency.

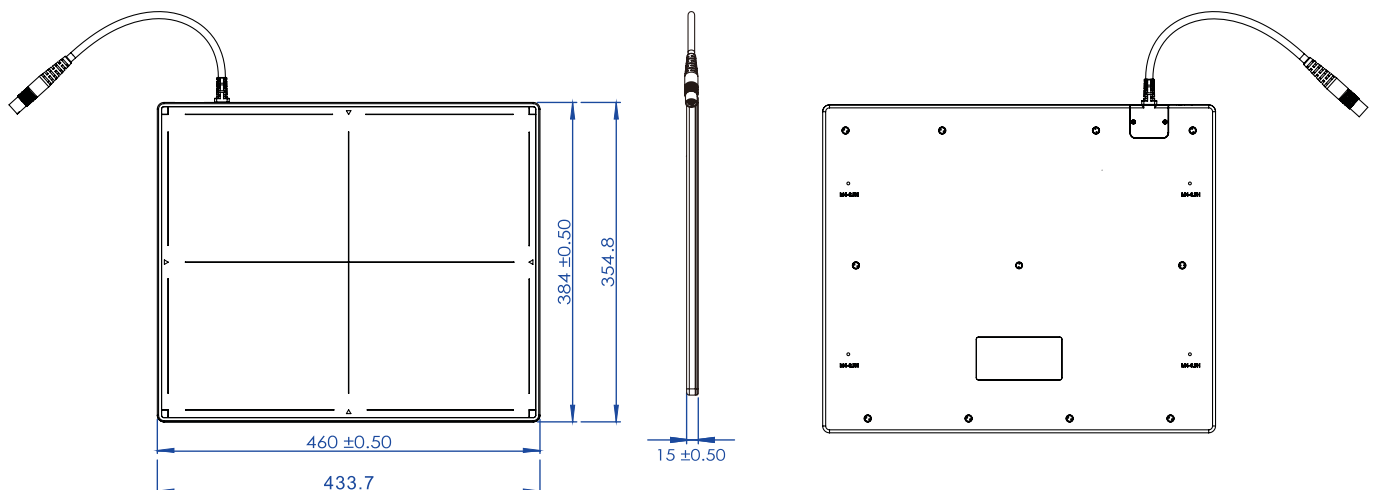
ExamVue 14"x17" Tethered CareVue Panel Specifications

Sensor	
Scintillator	Direct Deposit CsI:TI
Active Area	433.7 x 354.8 mm
Pixel Array	2816 x 2304
Pixel Pitch	154 μ m
Image Quality	
Limiting Resolution	3.3 lp/mm
MTF	70%(@ 1 lp/mm)
	40%(@ 2 lp/mm)
	22%(@ 3 lp/mm)
DQE	~ 65%(@ 0 lp/mm)
	~ 20%(@ 3 lp/mm)
Sensitivity	~ 0.62 ct/nGy
Maximum Linear Dose	95 μ Gy
Dynamic Range	> 82 dB
A/D Conversion	16 bits
Communication Interface	
Communication Interface	Gigabit Ethernet
Image Acquisition Time	2-3 sec
Exposure Control	AED
	Manual Sync
	External Sync
Environmental	

Operating	
Temperature Range	5° - 35° Celsius
Humidity Range (Non-condensing)	30% - 75% RH
Storage	
Temperature Range	20° - 55° Celsius
Humidity Range (Non-condensing)	10% - 90% RH
Mechanical	
Dimension	460 x 384 x 15 mm
Weight	3.4 kg
Housing Material	Carbon fiber front High strength aluminium alloy back
Power	
Maximum Power (standby/operating)	<8 W / 20 W
Power Supply	100 - 240 V AC
Frequency	50/60 Hz
Regulatory	
FDA	K153058
CE	HD 60107735 0001
UL	E464810
HC	97158

ExamVue 14"x17" Tethered

Dimensions (mm)



Contact us to learn more.
sales@jpihealthcare.com
516.513.1330 ext. 3
Visit us at jpihealthcare.com

