



ExamVue

14" x 17" Wireless



14" x 17" Cassette-Sized Wireless Detector

Friendly User Experience

- 14"x17" cassette-sized wireless detector; easily fits into standard bucky tray cabinets for upgrading a film or CR system to a flat-panel DR system.
- No wiring to generator with Full-Field Automatic Exposure Detection (AED) Technology.
- Wireless acquisition and transfer of a full resolution radiographic image with 802.11 n interface and dual-bands (2.415GHz) at 300Mbps data transmission rate.

Superior Image Quality

- The best performance CsI direct-deposition technology on new generation of TFT/PIN PD panel and low noise electronics.

ExamVue Design Philosophy

- Extra long battery life with 1400 exposures (10 sec interval between exposures) and 7 hours stand-by time.
- Light weight and slim design with built-in foldable handle; rubber insulated frame and high strength aluminum-alloy case ensure safe and convenient operations.

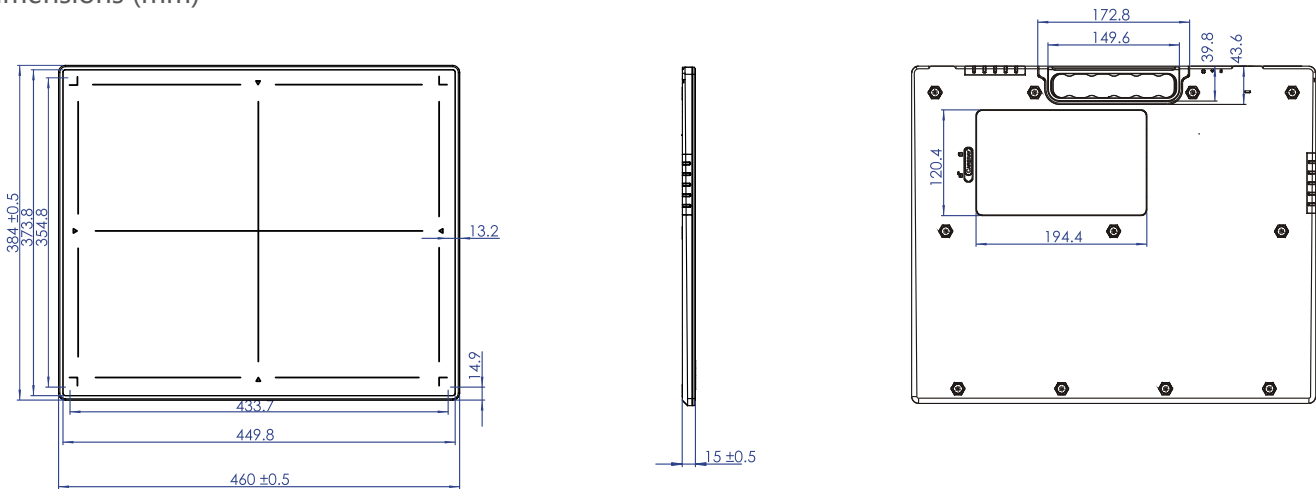
ExamVue 14" x 17" Wireless CareVue Panel Specifications

Sensor	
Scintillator	Direct Deposit CsI:TI
Active Area	433.7 x 354.8 mm
Pixel Array	2816 x 2304
Pixel Pitch	154 µm
Image Quality	
Limiting Resolution	3.25lp/mm
MTF	70%(@ 1 lp/mm)
	40%(@ 2 lp/mm)
	22%(@ 3 lp/mm)
DQE	(@RQA5, 27 µGy)
	~ 65% (@ 0 lp/mm)
	~ 20% (@ 3 lp/mm)
Sensitivity	~ 0.62 ct/nGy
Response Non-linearity	< ± 0.5%
Maximum Linear Dose	95 µGy
Dark Noise	~ 8 nGy
Dynamic Range	~ 82 dB
A/D Conversion	16 bits
Communication Interface	
Communication Interface	Gigabit Ethernet 2.4/5 GHz, 300 Mbps
Exposure Control	AED
	Manual sync

Environmental	
Operating	
Temperature Range	5 °C - 35°C
Humidity Range (Non-condensing)	30% - 75% RH
Storage	
Temperature Range	-20 °C - 55 °C
Humidity Range (Non-condensing)	10% - 90% RH
Mechanical	
Dimension	460 x 384 x 15 mm
Weight	3.7 kg
Housing Material	Carbon fiber front
	High strength aluminium alloy back
Power	
Maximum Power (standby/operating)	< 8 W / 20 W
Power Supply	100-250V AC
Frequency	50/60 Hz
Regulatory	
FDA	K150929
CE	HD 60107735 0001
UL	E464810
HC	96952

ExamVue 14"x17" Wireless

Dimensions (mm)



Contact us to learn more.
sales@jpihealthcare.com
 516.513.1330 ext. 3
 Visit us at jpihealthcare.com

