



ExamVue

17" x 17" Tethered Retrofit Solution



17" x 17" Cassette-Sized Tethered Radiographic Detector

- The 17" x 17" detector is designed to meet a wide-range of requirements for digital radiographic applications (e.g. retrofit of existing radiographic systems – CCD-DR, CR, and film) and integration with fixed-mounted systems.
- Our most advanced Csl direct-deposition technology ensures excellent image quality at low X-Ray dose and improves operational safety.
- Multiple modes of synchronization provides universal flexibility for system manufacturers and integrators.
- Unique full-field Automatic Exposure Detection (AED) offers a full-imaging-area coverage and low dose sensitivity.
- Low power-consumption, thermal-efficient design, and one-cable connection make ExamVue easy to install and operate.
- The ExamVue 17" x 17" Tethered is a perfect combination of robust performance and cost efficiency.

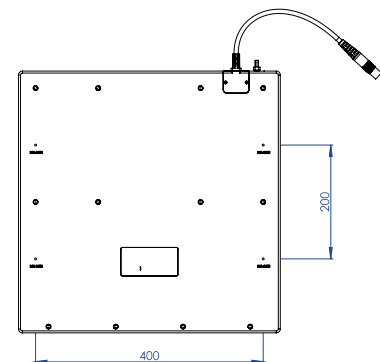
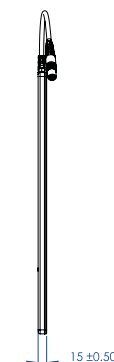
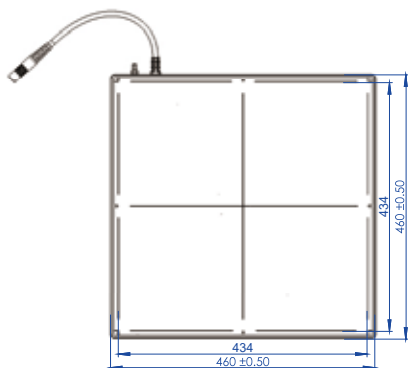
ExamVue 17" x 17" Tethered CareVue Panel Specifications

Sensor	
Scintillator	Direct Deposit CsI:TI
Active Area	434 x 434 mm
Pixel Array	2816 x 2816
Pixel Pitch	154 μ m
Image Quality	
Limiting Resolution	3.3 lp/mm
MTF	70%(@ 1 lp/mm)
	40%(@ 2 lp/mm)
	22%(@ 3 lp/mm)
DQE	(@RQA5, 30 μ Gy)
	~ 65% (@ 0 lp/mm)
	~ 20% (@ 3 lp/mm)
Sensitivity	~ 0.62 ct/nGy
Response Non-linearity	< \pm 0.5%
Maximum Linear Dose	95 μ Gy
Dark Noise	~ 8 nGy
Dynamic Range	~ 82 dB
A/D Conversion	16 bits
Communication Interface	
Communication Interface	Gigabit Ethernet
Image Acquisition Time	2-3 sec
Exposure Control	AED
	Manual Sync
	External Sync

Environmental	
Operating	
Temperature Range	5 $^{\circ}$ C - 35 $^{\circ}$ C
Humidity Range (Non-condensing)	30% - 75% RH
Storage	
Temperature Range	-20 $^{\circ}$ C - 55 $^{\circ}$ C
Humidity Range (Non-condensing)	10% - 90% RH
Mechanical	
Dimension	460 x 460 x 15 mm
Weight	3.9 kg
Housing Material	Carbon fiber front High strength aluminium alloy back
Power	
Maximum Power (standby/operating)	< 8 W / 20 W
Power Supply	100 - 250 V AC
Frequency	50/60 Hz
Regulatory	
FDA	K153492
CE	HD 60107735 0001
UL	E464810
HC	97159

ExamVue 17" x 17" Tethered

Dimensions (mm)



Contact us to learn more.
sales@jpihealthcare.com
516.513.1330 ext. 3
Visit us at jpihealthcare.com

