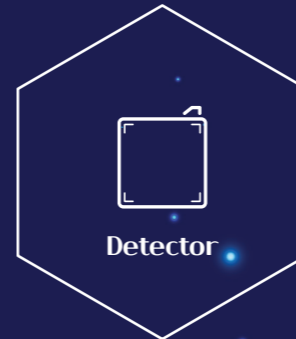
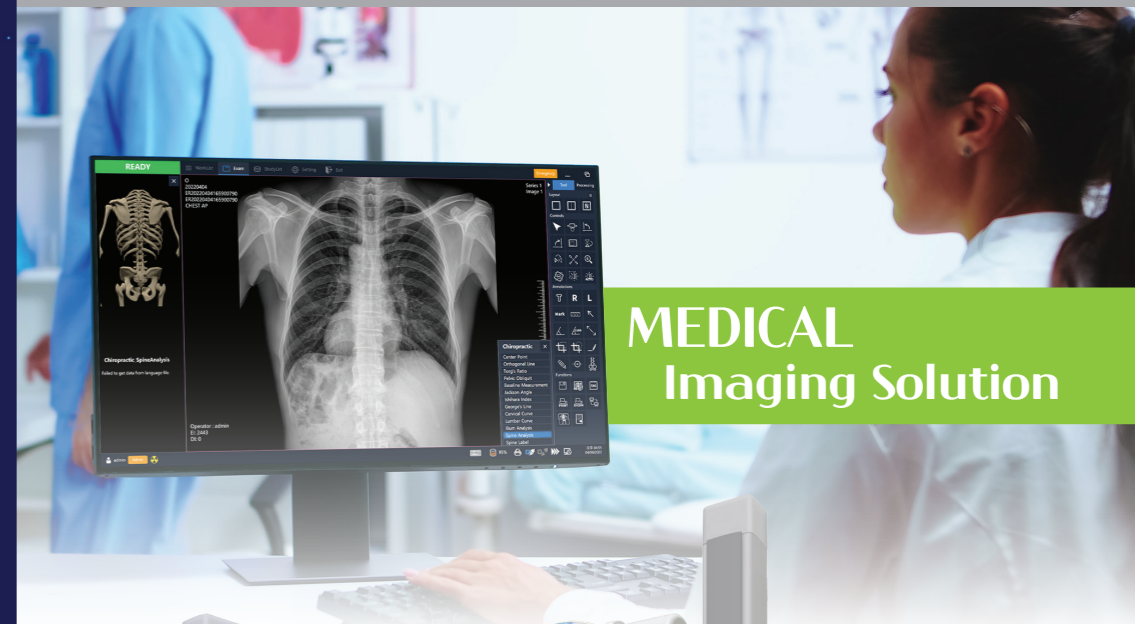


MEDICAL Imaging Solution



Innovative Leader In X-ray Imaging Solution



JPI Healthcare Co., Ltd.

608-ho, 28, Digital-ro 33-gil, Guro-gu, 08377, Seoul, Korea

postmaster@jpi.co.kr



www.jpi-korea.com

www.jpi-korea.com

Copyright (c) JPI Healthcare Co., Ltd. All Rights Reserved.



Experience the **highest image quality** at **affordable cost** with JPI Healthcare's **x-ray imaging solution.**

The backbone of DRE Series, ExamVue Duo, is a self-developed s/w with full integration to the generator and flat panel detector implemented, making it one of the most reliable and appealing systems available.

Easy-to-use software with **ultra-fast acquisition time** will improve the **workflow efficiency** of the clinic.

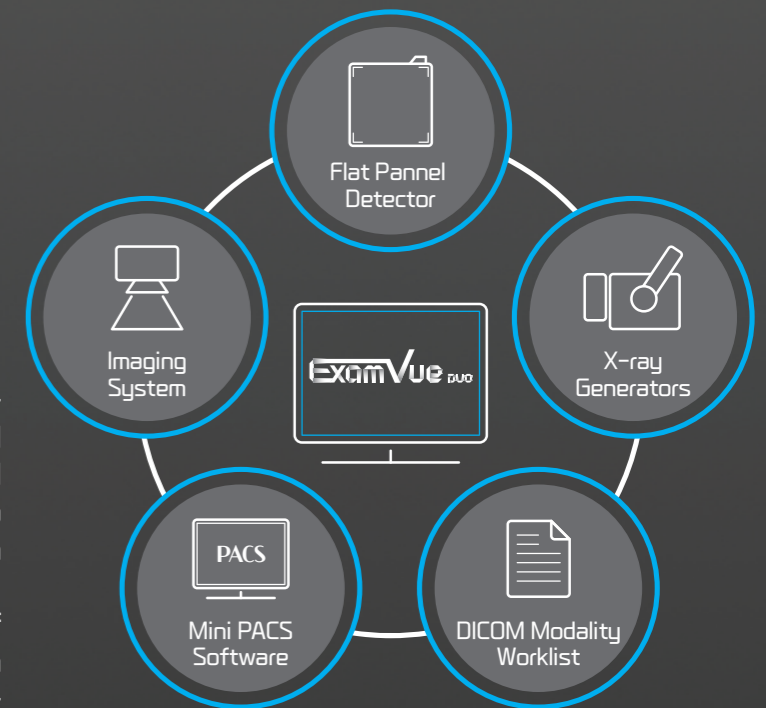
Generators and flat panel detectors implemented in DRE Series are fully integrated with its operating software, which helps to improve the efficiency of workflow and productivity, allowing its users to experience the highest level of healthcare services.

ExamVue Duo Software



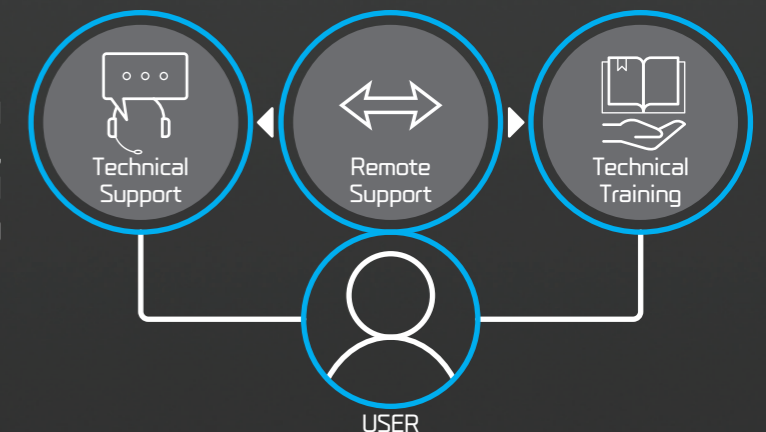
ExamVue Duo is a self-developed acquisition software equipped with an intuitive GUI, basic and professional measurement tools, and an optimized image processing algorithm. It also comes with a guide for proper image acquisition process which cloud enhance user's experience.

ExamVue Duo is fully integrated with wide range of generators and flat panel detectors and comes with tools that helps to improve the workflow of the imaging system, allowing its users to be more efficient and flexible.

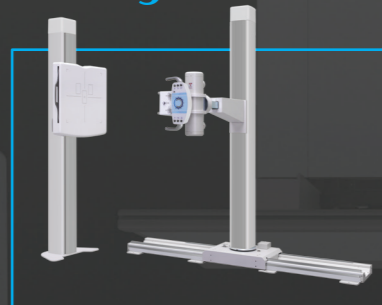


Customer Service

Our outstanding customer support team is consisted of engineers with experience and knowledge. Also, we supply remote training session for our valued partners so they may enhance their understanding and supply the best service possible to end users.



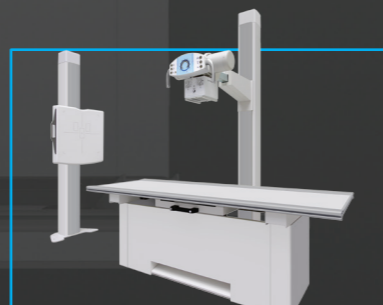
Flexible Configuration



Bucky Stand + Tube Stand



Tube Stand + Bucky Table(4way)



Bucky Stand + Tube Stand + Bucky Table(4way)