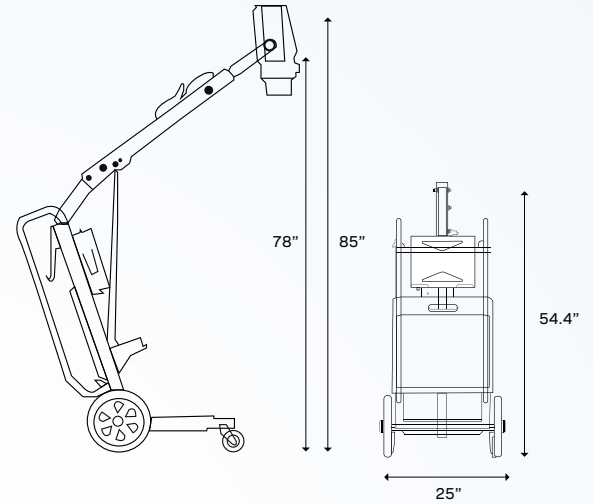
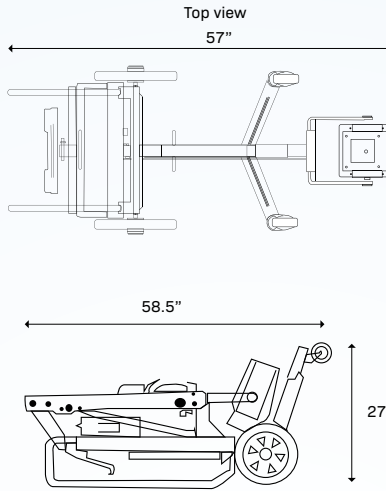


Technical Specifications



Specifications

Value

X-ray Generator

CubeX 28 HF X-ray Generator	2.7 kW, 40 - 120 kVp, 40 mA Max, 28 lbs
Controls	Integrated controls with ExamVue Duo Software Inverted Control panel for use on a stand or table

Panel

ExamVue Duo EV14W	14" x 17" Wireless Detector Assembled in the US 140 µm pixel pitch, 3072 x 2560 pixels active area Direct Deposit CsI with AED Dual Band Wireless Support (2.4 Ghz and 5 Ghz) 8.2 lbs Quick connect magnetic cable Includes 2 batteries and battery charger
-------------------	---

Panel Protection Options

Mobile DR Panel Holder	14" x 17" with Single Handle Long Edge
Full Panel Encasement With Snap-On Grid	103 LPI 14" x 17" with Aluminum Frame for Mobile

Specifications

Value

Mobile Stand

Weight	82 lbs with generator and cables
Maximum SID to Floor	78"
Large Wheels	10"
Folded Dimensions	27" x 54.4" x 27"
Integrated Cabling	Exposure Switch Extension

Acquisition Software

ExamVue Duo	Acquisition Software for Medicine
Acquisition Laptop	Specs subject to change without notice Windows 11 Enterprise 16 GB RAM, 512 GB SSD Hard Drive i5 10th GEN Processor 15.6" display

Support

Remote Service Support Software	Team Viewer Remote Access Software Included (allows for WEB-Based Remote dial-up support)
---------------------------------	---